

D-Helix™ Antenna HX-CH6601A

Harxon Patented D-QHA^① Technology Inside

Harxon
a *BDStar* company

SMALL AND LIGHT ANTENNA WITH
INNOVATIVE D-QHA TECHNOLOGY
FOR UAV



ADVANCED D-QHA TECHNOLOGY

Harxon's D-QHA technology ensures HX-CH6601A more stable performance of wide-angle circular polarization (WACP), and smaller antenna phase center deviation (PCV), which ensures a more precise positioning accuracy.

TRACKING IN CHALLENGING ENVIRONMENTS

HX-CH6601A is able to track visible satellites under challenging conditions, providing the positioning solutions with high precision and reliable data. Its stable phase center guarantees the accuracy of positioning within millimeter level, that can be widely used in plant protection, tree lines, also for UAV power patrol, GIS surveying where high precision operations are needed.

STRONG ANTI-INTERFERENCE PERFORMANCE

The antenna LNA features excellent out-of-band rejection performance, which can suppress the electromagnetic interference, providing the stability and reliability of GNSS signals. Also it effectively avoids disconnection dangerous when UAVs are operated under tower and electric power patrol.

SMALL SIZE AND LIGHT WEIGHT

The light weight and small size HX-CH6601A antenna can lighten the loads of UAVs, as well as a standard SMA male connector for easy integration. Its IP67 ruggedized design can protect it from dust and water.

KEY FEATURES

- Support GPS, Glonass, Galileo, Beidou, QZSS and SBAS signal reception
- Stable phase center guarantees the accuracy of positioning within millimeter level
- Strong anti-interference ability to endure the harsh operating environments
- 25g light weight for lower power consumption
- IP67 ruggedized protection

D-Helix™ Antenna HX-CH6601A

Harxon Patented D-QHA Technology Inside

Harxon
a *BDStar* company

PERFORMANCE

Signal Received

| | |
|---------|-------|
| GPS | L1/L2 |
| GLONASS | L1/L2 |
| GALILEO | E1 |
| BDS | B1/B2 |
| QZSS | L1/L2 |
| SBAS | L1 |

Nominal Impedance 50Ω

Polarization RHCP

Axial Ratio ≤3dB

Gain at Zenith (90°)

| | |
|--------------|-----------------|
| 1217-1257MHz | 2dBi(maximum) |
| 1559-1610MHz | 2.5dBi(maximum) |

LNA Gain 33dB(typical)

Noise Figure ≤1.5dB

Output/Input VSWR ≤2.0

Operation Voltage +3.3 to +12VDC

Operation Current 55mA(maximum)

Group Delay Ripple <15ns

MECHANICAL

Dimensions φ27.5*59mm

Connector SMA male

Weight ≤25g

Mounting customers design own installation

ENVIRONMENTAL

Temperature

Operating -40°C to +70°C

Storage -40°C to +70°C

Humidity 95% non-condensing

Water/Dust Resistance IP67[®]

Regulatory Compliance CE, RoHS, REACH

For the most recent details of this product:

<http://en.harxon.com/products-detail.php?Proid=103>

en.harxon.com

sales@harxon.com

9/F, Block B, Building D3, TCL International

E City, NO.1001 Zhongshanyuan Road,
Nanshan District, Shenzhen, China

Tel: +86-755-26989948

Fax: +86-755-26989994

Version 2 Specifications subject to change without notice.

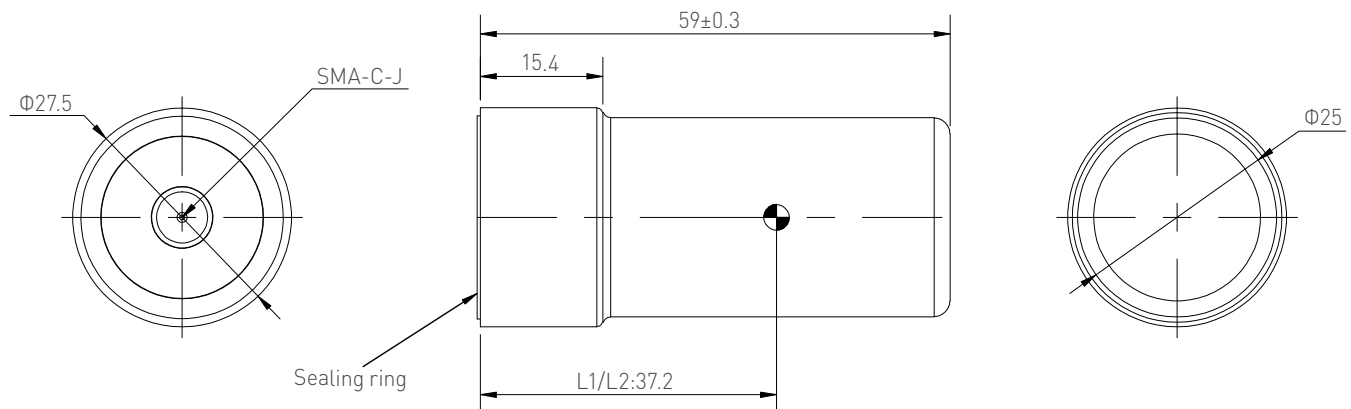
©2020 Harxon Corporation. All rights reserved.

Printed in China

December 2019

1.D-QHA: Dual Quadrifilar Helix Antenna
2.Outside the bottom seal ring

Structure & Phase Center Drawing (mm)



TOP VIEW

SIDE VIEW

BOTTOM VIEW

Undeclared tolerance: ± 0.3 mm